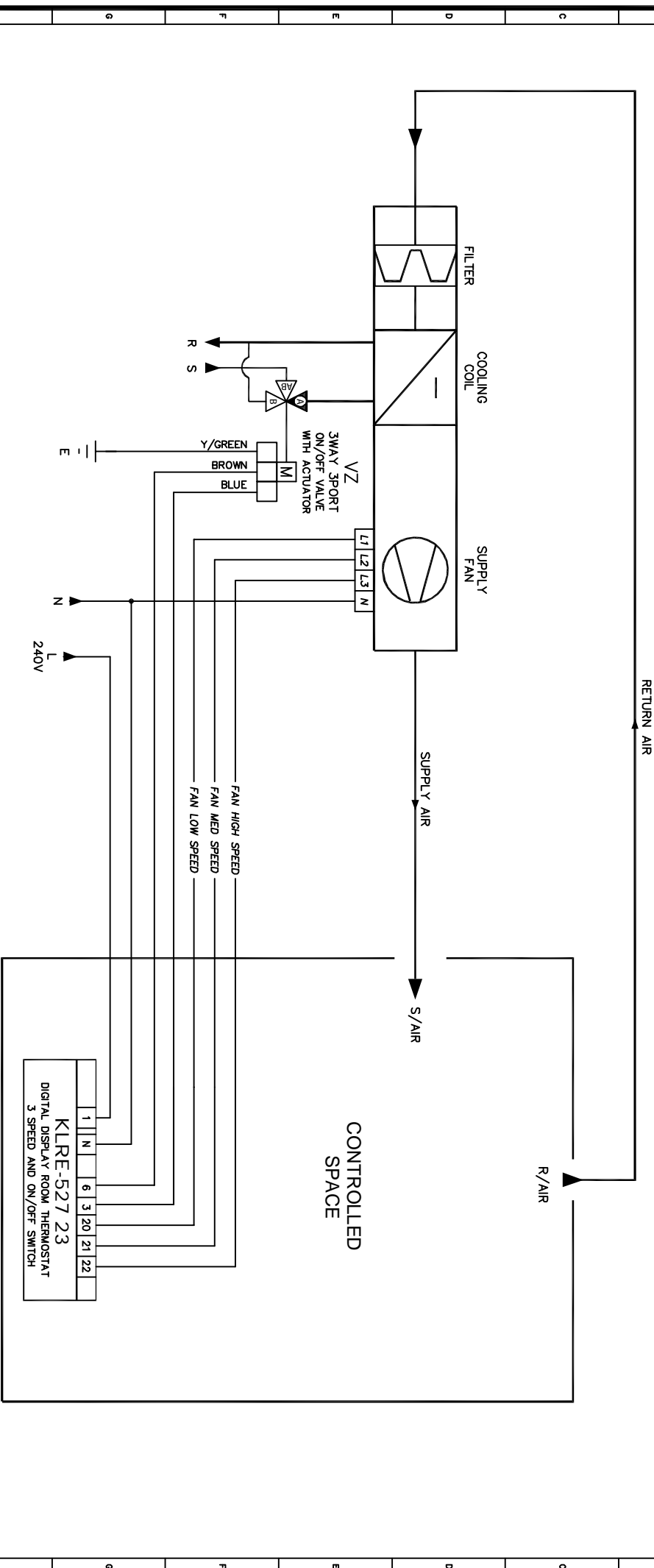


FCU CONTROLS (ON/OFF TYPE CONTROL)



Rev	Description	Date	Appd.	Contractor:	Project:	Title:
1						
2						
3						
4						
5						
6						
7						
8						
9						
10						
11						
12						

**FCU CONTROLS
SCHEMATIC DIAGRAM
(ON/OFF TYPE)**

AL TAQA EQUIPMENTS L.L.C
 P.O BOX - 70150, ABUDHABI
 UNITED ARAB EMIRATES
 C - 644 28933 * FAX - 644 3802
 email - altaqa@emirates.net.ae

Drawn by: _____
 Checked by: _____
 Approved by: _____
 Date: _____

Drawing No: **ATE-STD-FCU-02** Rev: **1 of 1**